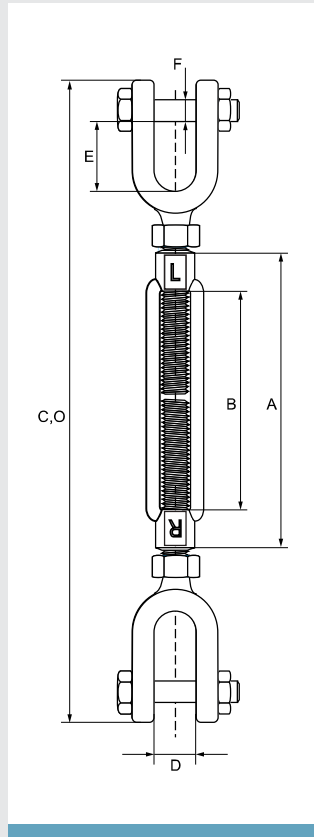




Turnbuckles & Accessories



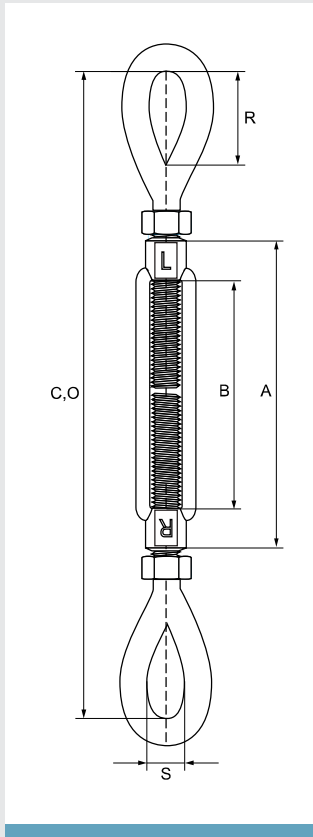
Turnbuckle Jaw/Jaw



Product Code	Size inch	Take Up inch	W.L.L. t	A mm	B mm	D mm	E mm	F mm	C Closed mm	O Open mm	Weight kgs
TBJJ6X4	1/4	4	0.23	120	102	11.5	15.75	7.5	200	302	0.16
TBJJ8X4.5	5/16	4 1/2	0.36	138	114	12.7	21.2	7.6	244	358	0.24
TBJJ10X6	3/8	6	0.54	180	152	13.7	21.5	9	290	442	0.71
TBJJ12X6	1/2	6	1	190	152	16	26.5	11	330	482	0.37
TBJJ12X9	1/2	9	1	267	229	16	26.5	11	406	635	0.79
TBJJ12X12	1/2	12	1	343	305	16	26.5	11	480	785	1.09
TBJJ16X6	5/8	6	1.59	203	152	21	33	14	378	530	1.35
TBJJ16X9	5/8	9	1.59	279	229	21	33	14	454	683	1.53
TBJJ16X12	5/8	12	1.59	355	305	21	33	14	530	835	1.79
TBJJ19X6	3/4	6	2.36	213	152	26	37.25	17.5	422	574	1.99
TBJJ19X9	3/4	9	2.36	289	229	26	37.25	17.5	498	727	2.48
TBJJ19X12	3/4	12	2.36	365	305	26	37.25	17.5	574	879	2.68
TBJJ19X18	3/4	18	2.36	517	451	26	37.25	17.5	726	1183	3.32
TBJJ22X6	7/8	6	3.27	222	152	31	42.75	20.5	466	618	3.15
TBJJ22X12	7/8	12	3.27	374	304	31	42.75	20.5	618	922	3.96
TBJJ22X18	7/8	18	3.27	527	457	31	42.75	20.5	770	1227	5.09
TBJJ25X6	1	6	4.54	233	152	33	52	24	510	662	4.44
TBJJ25X12	1	12	4.54	385	305	33	52	24	662	967	5.69
TBJJ25X18	1	18	4.54	537	457	33	52	24	814	1271	6.74
TBJJ25X24	1	24	4.54	690	610	33	52	24	966	1576	8.03
TBJJ32X6	1 1/4	6	6.89	236	152	47	70.5	31	598	598	8.55
TBJJ32X12	1 1/4	12	6.89	388	305	47	70.5	31	750	1055	10.27
TBJJ32X18	1 1/4	18	6.89	541	457	47	70.5	31	902	1359	11.99
TBJJ32X24	1 1/4	24	6.89	693	610	47	70.5	31	1054	1664	13.69
TBJJ38X12	1 1/2	12	9.71	403	305	57	70.5	37	800	1105	13.56
TBJJ38X18	1 1/2	18	9.71	555	457	57	70.5	37	952	1409	16.2
TBJJ38X24	1 1/2	24	9.71	708	610	57	70.5	37	1104	1714	18.88
TBJJ44X18	1 3/4	18	12.7	571	457	66	85	44	1046	1503	25.15
TBJJ44X24	1 3/4	24	12.7	724	610	66	85	44	1198	1808	28.06
TBJJ50X24	2	24	16.8	740	610	66.3	92	54	1340	1950	43.71
TBJJ63X24	2 1/2	24	27.2	795	610	78	110.8	60.5	1478	2088	81.8
TBJJ70X24	2 3/4	24	34	795	610	93.5	104.5	73	1562	2172	95.14

- Drop forged, high tensile steel.
- Hot dipped galvanised finish.
- Meets the performance requirements of ASTM F1145-92 (formerly US Fed. Spec. FF-T-791b).
- Temperature range -20°C up to +200°C.
- Proof load tested to 2.5 times the W.L.L.
- Minimum breaking load is 5 times the W.L.L.
- UNC threads.
- All items supplied with lock nuts.
- Up to 5/8" with safety bolt, 3/4" and above with cotter pins.
- Marked with CE, W.L.L. manufacturers ID, size, traceability code and L/R.
- Certification available [2.1](#) [DoC](#)

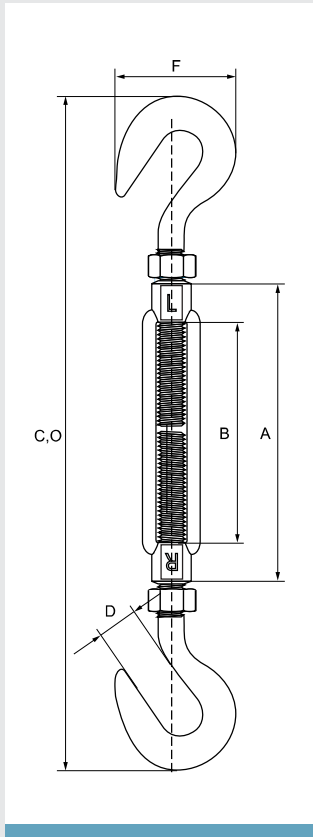
Turnbuckle Eye/Eye



Product Code	Size inch	Take Up inch	W.L.L. t	A mm	B mm	R mm	S mm	C Closed mm	O Open mm	Weight kgs
TBEE6X4	1/4	4	0.23	120	102	20	8.5	215	307	0.14
TBEE8X4.5	5/16	4 1/2	0.36	138	114	24	11.2	249	354	0.2
TBEE10X6	3/8	6	0.54	180	152	28.5	13.5	308	460	0.34
TBEE12X6	1/2	6	1	190	152	36.5	18	380	532	0.71
TBEE12X9	1/2	9	1	267	229	36.5	18	456	685	0.85
TBEE12X12	1/2	12	1	343	305	36.5	18	510	815	1
TBEE12X18	1/2	18	1	495	457	36.5	18	684	1081	1.6
TBEE16X6	5/8	6	1.59	203	152	45	22.5	398	550	1.17
TBEE16X9	5/8	9	1.59	279	229	45	22.5	474	703	1.42
TBEE16X12	5/8	12	1.59	355	305	45	22.5	550	855	1.67
TBEE19X6	3/4	6	2.36	213	152	53	25.4	448	600	1.87
TBEE19X9	3/4	9	2.36	289	229	53	25.4	524	753	2.22
TBEE19X12	3/4	12	2.36	365	305	53	25.4	600	905	2.57
TBEE19X18	3/4	18	2.36	517	457	53	25.4	752	1209	3.27
TBEE22X12	7/8	12	3.27	374	304	60	32	630	934	3.77
TBEE22X18	7/8	18	3.27	527	457	60	32	782	1239	4.7
TBEE25X6	1	6	4.54	233	152	76	37	552	704	4.1
TBEE25X12	1	12	4.54	385	305	76	37	704	1009	5.33
TBEE25X18	1	18	4.54	537	457	76	37	856	1313	6.56
TBEE25X24	1	24	4.54	690	610	76	37	1010	1620	7.83
TBEE32X12	1 1/4	12	6.89	388	305	90	46	776	1081	9.1
TBEE32X18	1 1/4	18	6.89	541	457	90	46	928	1385	10.94
TBEE32X24	1 1/4	24	6.89	693	610	90	46	1080	1690	12.75
TBEE38X12	1 1/2	12	9.71	403	305	103	53.8	838	1143	12.93
TBEE38X18	1 1/2	18	9.71	555	457	103	53.8	990	1447	15.43
TBEE38X24	1 1/2	24	9.71	708	610	103	53.8	1144	1754	17.97
TBEE44X18	1 3/4	18	12.7	571	457	117	60.5	1076	1544	23.37
TBEE44X24	1 3/4	24	12.7	724	610	117	60.5	1230	1840	26.91
TBEE50X24	2	24	16.8	740	610	146	68	1400	2010	39.93
TBEE63X24	2 1/2	24	27.2	795	610	165	79	1490	2100	70.96
TBEE70X24	2 3/4	24	34	795	610	178	82.5	1562	2172	82.22

- Drop forged, high tensile steel.
- Hot dipped galvanised finish.
- Meets the performance requirements of ASTM F1145-92 (formerly US Fed. Spec. FF-T-791b).
- Temperature range -20°C up to +200°C.
- Proof load tested to 2.5 times the W.L.L.
- Minimum breaking load is 5 times the W.L.L.
- UNC threads.
- All items available with lock nuts.
- Marked with CE, W.L.L. manufacturers ID, size, traceability code and L/R.
- Certification available [2.1](#) [DoC](#)

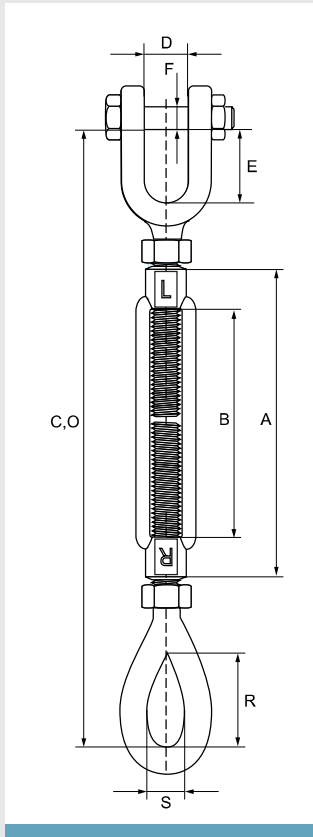
Turnbuckle Hook/Hook



Product Code	Size inch	Take Up inch	W.L.L. t	A mm	B mm	D mm	F mm	C Closed mm	O Open mm	Weight kgs
TBHH6X4	1/4	4	0.18	120	102	11.5	32	205	296	0.15
TBHH8X4.5	5/16	4 1/2	0.32	138	114	13	38	241	345	0.24
TBHH10X6	3/8	6	0.45	180	152	14	45	301	443	0.37
TBHH12X6	1/2	6	0.68	190	152	17	58	364	516	0.79
TBHH12X9	1/2	9	0.68	267	229	17	58	442	668	0.94
TBHH12X12	1/2	12	0.68	343	305	17	58	516	821	1.09
TBHH16X6	5/8	6	1.02	203	152	21	71	388	540	1.35
TBHH16X9	5/8	9	1.02	279	229	21	71	464	693	1.59
TBHH16X12	5/8	12	1.02	355	305	21	71	540	845	1.84
TBHH16X18	5/8	18	1.02	507	456	21	71	692	1144	2.33
TBHH19X6	3/4	6	1.36	213	152	25	84.5	440	592	2.12
TBHH19X9	3/4	9	1.36	289	229	25	84.5	516	745	2.47
TBHH19X12	3/4	12	1.36	365	305	25	84.5	590	895	2.82
TBHH19X18	3/4	18	1.36	517	457	25	84.5	744	1201	3.52
TBHH22X12	7/8	12	1.81	374	304	28	96	636	940	4.18
TBHH22X18	7/8	18	1.81	527	457	28	96	788	1245	5.15
TBHH25X6	1	6	2.27	233	152	31	108	524	676	4.4
TBHH25X12	1	12	2.27	385	305	31	108	678	983	5.66
TBHH25X18	1	18	2.27	537	457	31	108	830	1287	6.92
TBHH25X24	1	24	2.27	690	610	31	108	982	1592	8.17
TBHH32X12	1 1/4	12	2.95	388	305	38	130	750	1055	9.71
TBHH32X18	1 1/4	18	2.95	541	457	38	130	904	1361	11.55
TBHH32X24	1 1/4	24	2.95	693	610	38	130	1056	1666	13.4
TBHH38X12	1 1/2	12	3.4	403	305	48	146	824	1129	13.49
TBHH38X18	1 1/2	18	3.4	555	457	48	146	976	1433	16
TBHH38X24	1 1/2	24	3.4	708	610	48	146	1128	1738	18.51

- Drop forged, high tensile steel.
- Hot dipped galvanised finish.
- Meets the performance requirements of ASTM F1145-92 (formerly US Fed. Spec. FF-T-791b).
- Temperature range -20°C up to +200°C.
- Proof load tested to 2.5 times the W.L.L.
- Minimum breaking load is 5 times the W.L.L.
- UNC threads.
- All items available with lock nuts.
- Marked with CE, W.L.L. manufacturers ID, size, traceability code and L/R.
- Certification available [2.1](#) [DoC](#)

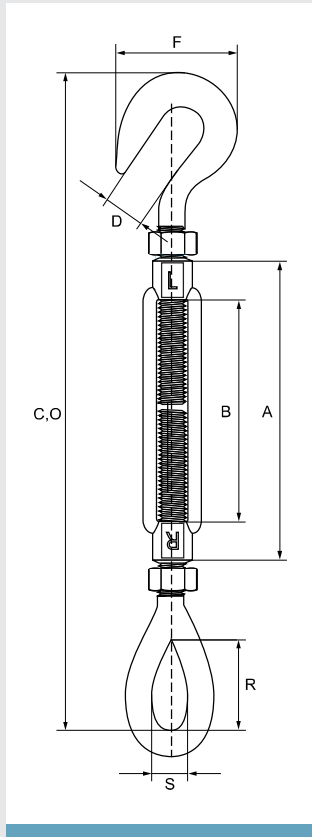
Turnbuckle Jaw/Eye



Product Code	Size inch	Take Up inch	W.L.L. t	A mm	B mm	D mm	E mm	F mm	R mm	S mm	C Closed mm	O Open mm	Weight kgs
TBJE6X4	1/4	4	0.23	120	102	11.5	15.75	7.5	20	8.5	215	307	0.14
TBJE8X4.5	5/16	4 1/2	0.36	138	114	12.7	21.2	7.6	24	11.2	249	354	0.2
TBJE10X6	3/8	6	0.54	180	152	13.7	21.5	9	28.5	13.5	308	460	0.34
TBJE12X6	1/2	6	1	190	152	16	26.5	11	36.5	18	380	532	0.71
TBJE12X9	1/2	9	1	267	229	16	26.5	11	36.5	18	456	685	0.85
TBJE12X12	1/2	12	1	343	305	16	26.5	11	36.5	18	510	815	1
TBJE16X6	5/8	6	1.59	203	152	21	33	14	45	22.5	398	550	1.17
TBJE16X9	5/8	9	1.59	279	229	21	33	14	45	22.5	474	703	1.42
TBJE16X12	5/8	12	1.59	355	305	21	33	14	45	22.5	550	855	1.67
TBJE19X6	3/4	6	2.36	213	152	26	37.25	17.5	53	25.4	448	600	1.87
TBJE19X9	3/4	9	2.36	289	229	26	37.25	17.5	53	25.4	524	753	2.22
TBJE19X12	3/4	12	2.36	365	305	26	37.25	17.5	53	25.4	600	905	2.57
TBJE19X18	3/4	18	2.36	517	457	26	37.25	17.5	53	25.4	752	1209	3.27
TBJE22X12	7/8	12	3.27	374	304	31	42.75	20.5	60	32	630	934	3.77
TBJE22X18	7/8	18	3.27	527	457	31	42.75	20.5	60	32	782	1239	4.7
TBJE25X6	1	6	4.54	233	152	33	52	24	76	37	552	704	4.1
TBJE25X12	1	12	4.54	385	305	33	52	24	76	37	704	1009	5.33
TBJE25X18	1	18	4.54	537	457	33	52	24	76	37	856	1313	6.56
TBJE25X24	1	24	4.54	690	610	33	52	24	76	37	1010	1620	7.83
TBJE32X12	1 1/4	12	6.89	388	305	47	70.5	31	90	46	776	1081	9.1
TBJE32X18	1 1/4	18	6.89	541	457	47	70.5	31	90	46	928	1385	10.94
TBJE32X24	1 1/4	24	6.89	693	610	47	70.5	31	90	46	1080	1690	12.75
TBJE38X12	1 1/2	12	9.71	403	305	47	70.5	31	103	53.8	838	1143	12.93
TBJE38X18	1 1/2	18	9.71	555	457	57	70.5	37	103	53.8	990	1447	15.43
TBJE38X24	1 1/2	24	9.71	708	610	57	70.5	37	103	53.8	1144	1754	17.97
TBJE44X18	1 3/4	18	12.7	571	457	66	85	44	117	60.5	1076	1544	23.37
TBJE44X24	1 3/4	24	12.7	724	610	66	85	44	117	60.5	1230	1840	26.91
TBJE50X24	2	24	16.8	740	610	66.3	92	54	146	68	1400	2010	39.93
TBJE63X24	2 1/2	24	27.2	795	610	78	110.8	60.5	165	79	1490	2100	70.96
TBJE70X24	2 3/4	24	34	795	610	93.5	104.5	73	178	82.5	1562	2172	82.22

- Drop forged, high tensile steel.
- Hot dipped galvanised finish.
- Meets the performance requirements of ASTM F1145-92 (formerly US Fed. Spec. FF-T-791b).
- Temperature range -20°C up to +200°C.
- Proof load tested to 2.5 times the W.L.L.
- Minimum breaking load is 5 times the W.L.L.
- UNC threads.
- All items available with lock nuts.
- Up to 5/8" with safety bolt, 3/4" and above with cotter pins.
- Marked with CE, W.L.L. manufacturers ID, size, traceability code and L/R.
- Certification available [2.1](#) [DoC](#)

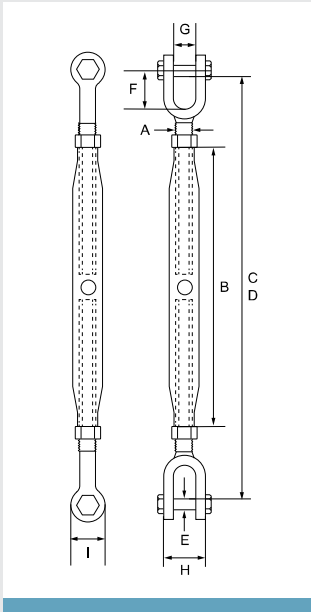
Turnbuckle Hook/Eye



Product Code	Size inch	Take Up inch	W.L.L. t	A mm	B mm	D mm	F mm	S mm	R mm	C Closed mm	O Open mm	Weight kgs
TBHE6X4	1/4	4	0.18	120	102	11.5	32	8.5	20	210	302	0.15
TBHE8X4.5	5/16	4 1/2	0.32	138	114	13	38	11.2	24	245	350	0.24
TBHE10X6	3/8	6	0.45	180	152	14	45	13.5	28.5	305	452	0.37
TBHE12X6	1/2	6	0.68	190	152	17	58	18	36.5	372	524	0.79
TBHE12X9	1/2	9	0.68	267	229	17	58	18	36.5	449	677	0.94
TBHE12X12	1/2	12	0.68	343	305	17	58	18	36.5	513	818	1.09
TBHE16X6	5/8	6	1.02	203	152	21	71	22.5	45	393	545	1.35
TBHE16X9	5/8	9	1.02	279	229	21	71	22.5	45	469	698	1.59
TBHE16X12	5/8	12	1.02	355	305	21	71	22.5	45	545	850	1.84
TBHE19X6	3/4	6	1.36	213	152	25	84.5	25.4	53	444	596	2.12
TBHE19X9	3/4	9	1.36	289	229	25	84.5	25.4	53	520	749	2.47
TBHE19X12	3/4	12	1.36	365	305	25	84.5	25.4	53	595	900	2.82
TBHE19X18	3/4	18	1.36	517	457	25	84.5	25.4	53	748	1205	3.52
TBHE22X12	7/8	12	1.81	374	304	28	96	32	60	633	937	4.18
TBHE22X18	7/8	18	1.81	527	457	28	96	32	60	785	1242	5.15
TBHE25X6	1	6	2.27	233	152	31	108	37	76	538	690	4.4
TBHE25X12	1	12	2.27	385	305	31	108	37	76	691	996	5.66
TBHE25X18	1	18	2.27	537	457	31	108	37	76	843	1300	6.92
TBHE25X24	1	24	2.27	690	610	31	108	37	76	996	1606	8.17
TBHE32X12	1 1/4	12	2.95	388	305	38	130	46	90	763	1068	9.71
TBHE32X18	1 1/4	18	2.95	541	457	38	130	46	90	916	1373	11.55
TBHE32X24	1 1/4	24	2.95	693	610	38	130	46	90	1068	1678	13.4
TBHE38X12	1 1/2	12	3.4	403	305	48	146	53.8	103	831	1136	13.49
TBHE38X18	1 1/2	18	3.4	555	457	48	146	53.8	103	983	1440	16
TBHE38X24	1 1/2	24	3.4	708	610	48	146	53.8	103	1136	1746	18.51

- Drop forged, high tensile steel.
- Hot dipped galvanised finish.
- Meets the performance requirements of ASTM F1145-92 (formerly US Fed. Spec. FF-T-791b).
- Temperature range -20°C up to +200°C.
- Proof load tested to 2.5 times the W.L.L.
- Minimum breaking load is 5 times the W.L.L.
- UNC threads.
- All items available with lock nuts.
- Marked with CE, W.L.L. manufacturers ID, size, traceability code and L/R.
- Certification available [2.1](#) [DoC](#)

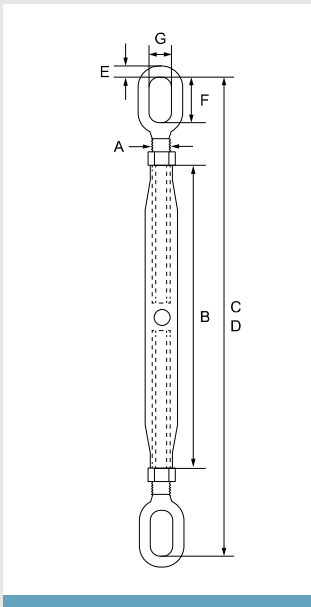
Closed Body Rigging Screw Jaw/Jaw



Product Code	W.L.L. t	A mm	B mm	C Closed mm	D Open mm	E mm	F mm	G mm	H mm	I mm	Weight kgs
RSJJ6	0.2	6	100	175	255	5	19	7	20	13	0.16
RSJJ8	0.32	8	108	199	282	6	25	9	24	14	0.27
RSJJ10	0.5	10	125	222	320	8	26	10.5	28	19	0.45
RSJJ12	0.7	12	195	320	479	10	32	13	33	22	0.85
RSJJ16	1.2	16	230	388	572	12	39	18	42	28	1.57
RSJJ20	1.5	20	270	454	672	16	46	20	51	33	2.67
RSJJ22	2.2	22	295	490	730	20	55	25	55	38	3.68
RSJJ24	3.2	24	325	558	819	22	63	30	70	46	5.3
RSJJ33	4.8	33	370	681	977	30	85	38	82	60	12
RSJJ39	6	39	400	710	1017	33	86	45	85	76	14.2
RSJJ45	8.5	45	400	760	1050	39	105	50	100	86	20.8
RSJJ48	11	48	400	820	1110	45	120	58	118	92	24

- Mild steel.
- Hot dipped galvanised finish.
- Proof load tested to 2 times the W.L.L.
- Minimum breaking load is 5 times the W.L.L.
- Metric threads.
- Marked with CE, W.L.L, manufacturers ID and traceability code.
- Certification available [2.1 DoC](#)

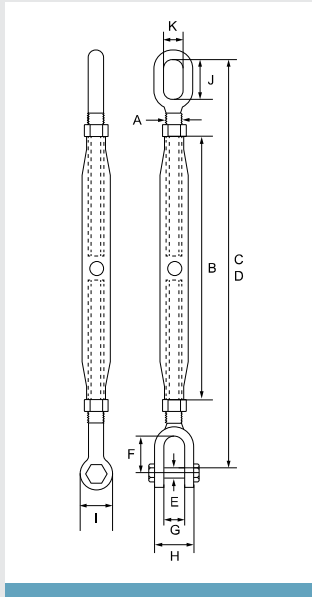
Closed Body Rigging Screw Eye/Eye



Product Code	W.L.L. t	A mm	B mm	C Closed mm	D Open mm	E mm	F mm	G mm	Weight kgs
RSEE6	0.2	6	100	165	245	5.5	11	11	0.13
RSEE8	0.32	8	108	178	261	6	12	12	0.2
RSEE10	0.5	10	125	210	308	8.5	13	13	0.6
RSEE12	0.7	12	195	325	484	11	30	15	0.8
RSEE16	1.2	16	230	380	564	12	40	20	1.4
RSEE20	1.5	20	270	455	673	16	50	24	2.4
RSEE22	2.2	22	295	495	736	16	50	24	3
RSEE24	3.2	24	325	545	806	19	56	28	4
RSEE33	4.8	33	370	665	961	29	70	35	9
RSEE39	6	39	400	725	1032	34	80	40	11.5
RSEE45	8.5	45	400	760	1050	30	90	45	20.8
RSEE48	11	48	400	820	1110	35	100	45	24

- Mild steel.
- Hot dipped galvanised finish.
- Proof load tested to 2 times the W.L.L.
- Minimum breaking load is 5 times the W.L.L.
- Metric threads.
- Marked with CE, W.L.L, manufacturers ID and traceability code.
- Certification available [2.1 DoC](#)

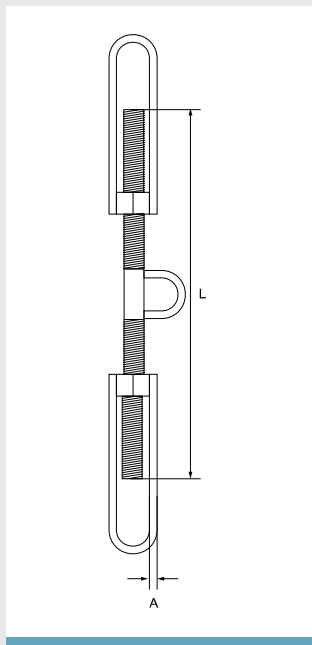
Closed Body Rigging Screw Jaw/Eye



Product Code	W.L.L. t	A mm	B mm	C Closed mm	D Open mm	E mm	F mm	G mm	H mm	I mm	J mm	K mm	Weight kgs
RSJE6	0.2	6	100	170	248	M5	19	7	20	13	11	11	0.14
RSJE8	0.32	8	108	189	273	M6	25	9	24	14	12	12	0.24
RSJE10	0.5	10	125	216	306	M8	26	10.5	28	19	13	13	0.53
RSJE12	0.7	12	195	323	478	M10	32	13	34	22	30	15	0.83
RSJE16	1.2	16	230	384	569	M12	39	18	42	28	40	20	1.49
RSJE20	1.5	20	270	455	665	M16	46	20	51	33	50	24	2.54
RSJE22	2.2	22	295	493	723	M20	55	25	55	38	50	24	3.34
RSJE24	3.2	24	325	552	802	M22	63	30	70	46	56	28	4.65
RSJE33	4.8	33	370	673	963	M30	85	38	82	60	70	35	10.5
RSJE39	6	39	400	718	1018	M33	86	45	85	76	80	40	12.8
RSJE45	8.5	45	400	760	1050	M39	105	50	100	86	90	45	20.8
RSJE48	11	48	400	820	1110	M45	120	58	118	92	100	45	24

- Mild steel.
- Hot dipped galvanised finish.
- Proof load tested to 2 times the W.L.L.
- Minimum breaking load is 5 times the W.L.L.
- Metric threads.
- Marked with CE, W.L.L, manufacturers ID and traceability code.
- Certification available [2.1](#) [DoC](#)

Lashing Hamburger



Product Code	Chain Dia mm	L mm	A mm	M.B.L. t	Weight kgs
X0402	24	400	16	13	3
X0404	28	400	18	18	4.4
X0403	30	400	20	20	5

- Mild steel.
- Self colour finish.
- Commercial quality, untested.
- Certification available [2.1](#)